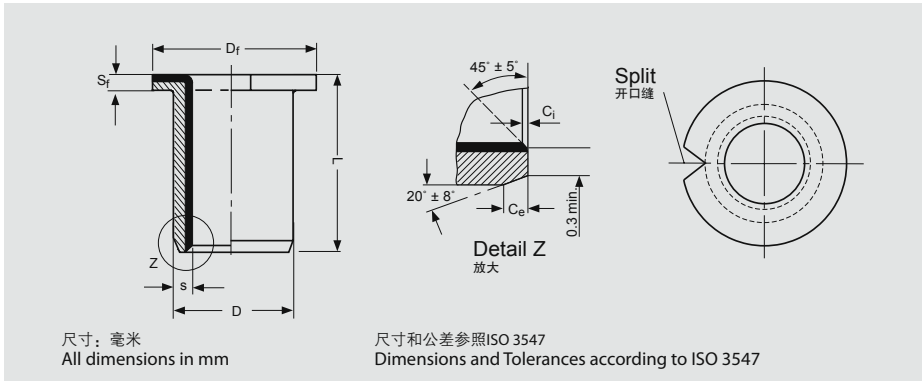




5.2 EU 翻边轴套规格及公差 EU Flange Bushing Specification & Tolerance



内外倒角尺寸表 Inside & Outside Chamfers

壁厚 Wall thickness S	内倒角 Inside Chamfer C _i	外倒角 Outside Chamfer C _e
0.75	0.25 ± 0.15	0.50 ± 0.30
1.00	0.30 ± 0.20	0.60 ± 0.40
1.50	0.40 ± 0.30	0.60 ± 0.40
2.00	0.40 ± 0.30	1.20 ± 0.40
2.50	0.60 ± 0.40	1.80 ± 0.60

翻边套型号标注方式 Flange Bushing Symbol

翻边套型号标注方式 Flange Bushing Symbol	EU-□	F	× ×	× ×
轴承型号 Flange Bushing Type				
翻边套 Flange				
翻边套内径 Flange Bushing Inner Diameter				
翻边套高度 Flange Bushing Length				

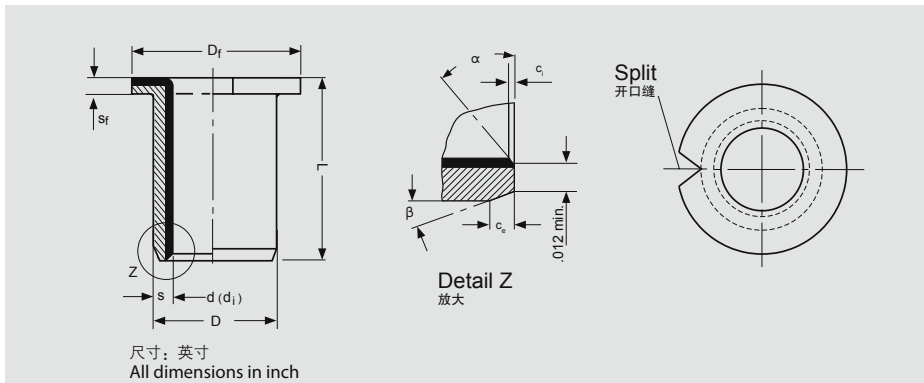
内径 Internal Diameter			外径 External Diameter			法兰厚度 Flang Wall S _f	法兰外径 Flang Φ D _f	高度 Length	壁厚 Wall Thickness	型号 Part No	
内径 d	装配轴径 Shaft Φ d _s	装配后内孔尺寸 Φ d _i	外径 D	装配座孔 Housing Φ D _H	理论外径公差 O.D. Φ D _t	max. min.	max. min.	L ± 0.25	S		
6	5.990	6.055	8	8.015	+0.055 +0.025	1.050 0.800	12.50	4	1.005 0.980	EU F06040	
	5.978	5.990		8.000			11.50	8		EU F06080	
8	7.987	8.005	10	10.015			15.50	5.5		EU F08055	
	7.972	7.990		10.000			14.50	7.5		EU F08075	
							9.5	EU F08095			
10	9.987	10.058	12	12.018			18.50	7		EU F10070	
	9.972	9.990		12.000			17.50	9		EU F10090	
							12	EU F10120			
							17	EU F10170			
12	11.984	12.058	14	14.018			+0.065 +0.030	20.50 19.50		7	EU F12070
	11.966	11.990		14.000						9	EU F12090
										12	EU F12120
					17	EU F12170					



内径 Internal Diameter			外径 External Diameter			法兰厚度 Flang Wall S_f	法兰外径 Flang Φ D_f	高度 Length	壁厚 Wall Thickness	型号 Part No				
内径 d	装配轴径 Shaft Φd_s	装配后内孔尺寸 Φd_i	外径 D	装配座孔 Housing ΦD_H	理论外径公差 O.D. ΦD_t	max. min.	max. min.	$L \pm 0.25$	S					
14	13.984 13.966	14.058 13.990	16	16.018 16.000	+0.065 +0.030	1.050 0.800	22.50 21.50	12	1.005 0.980	EU F14120				
								17		EU F14170				
15	14.984 14.966	15.058 14.990	17	17.018 17.000				23.50 22.50		9	EU F15090			
										12	EU F15120			
										17	EU F15170			
16	15.984 15.966	16.058 15.990	18	18.018 18.000				24.50 23.50		12	EU F16120			
										17	EU F16170			
18	17.984 17.966	18.061 17.990	20	20.021 20.000				26.50 25.50		12	EU F18120			
										17	EU F18170			
										22	EU F18220			
20	19.980 19.959	20.071 19.990	23	23.021 23.000	+0.075 +0.035	1.600 1.300	30.50 29.50	11.5	1.505 1.475	EU F20115				
								16.5		EU F20165				
								21.5		EU F20215				
25	24.980 24.959	25.071 24.990	28	28.021 28.000				35.50 34.50		11.5	EU F25115			
										16.5	EU F25165			
										21.5	EU F25215			
30	29.980 29.959	30.085 29.990	34	34.025 34.000				2.100 1.800		42.50 41.50	16	2.005 1.970	EU F30160	
											26		EU F30260	
35	34.975 34.950	35.085 34.990	39	39.025 39.000							47.50 46.50		16	EU F35160
													26	EU F35260
40	39.975 39.950	40.085 39.990	44	44.025 44.000	+0.085 +0.045	53.50 52.50	16		EU F40160					
							26		EU F40260					
45	44.975 44.950	45.105 44.990	50	50.025 50.000		2.600 2.300	58.50 57.50		16		EU F45160			
									26		EU F45260			



5.6 EU 英制翻边规格及公差 EU Inch Flange Bushing Specification & Tolerance



内外倒角尺寸表
Inside & Outside Chamfers

壁厚 Wall thickness	内倒角 ID Chamfer		外倒角 OD Chamfer	
	C _i	α	C _e	β
0.0315"	0.008"-0.024"	30°-45°	0.004"-0.012"	30°-45°
0.0471"	0.020"-0.040"	20°-30°	0.005"-0.025"	40°-55°
0.0627"-0.0928"	0.020"-0.040"	15°-25°	0.005"-0.025"	40°-50°

翻边套型号标注方式
Flange Bushing Symbol

翻边套型号标注方式 Flange Bushing Symbol	× ×	F	EU - □	× ×
翻边套内径 Flange Bushing I. D.				
翻边套 Flange				
轴承型号 Flange Bushing Type				
翻边套高度 Flange Bushing Length				

内径 d	装配轴径 Shaft-Φd _s	装配后内孔尺寸 Φd _i	装配座孔 Housing ΦD _H	法兰厚度 Flang Wall S _f	法兰外径 Flang Φ D _F	高度 Length	型号 Part No
						L ± 0.01"	
3/8	0.3750 0.3740	0.4684 0.4691	0.3752 0.3779	0.052 0.044	1 1/16	1/4	06F EU04
						3/8	06F EU06
						1/2	06F EU08
1/2	0.5000 0.4990	0.5934 0.5941	0.5002 0.5029	0.052 0.044	1 3/16	1/4	08F EU04
						3/8	08F EU06
						1/2	08F EU08
5/8	0.6250 0.6240	0.7184 0.7192	0.6252 0.6280	0.052 0.044	1 5/16	3/8	10F EU06
						1/2	10F EU08
						5/8	10F EU10
3/4	0.7500 0.7488	0.8747 0.8755	0.7502 0.7534	0.068 0.060	1 1/8	3/8	12F EU06
						1/2	12F EU08
						3/4	12F EU12
7/8	0.8750 0.8738	0.9997 1.0005	0.8752 0.8784	0.068 0.060	1 3/8	1/2	14F EU08
						3/4	14F EU12
						1	14F EU16
1	1.0000 0.9988	1.1247 1.1255	1.0002 1.0034	0.068 0.060	1 3/4	1/2	16F EU08
						3/4	16F EU12
						1	16F EU16