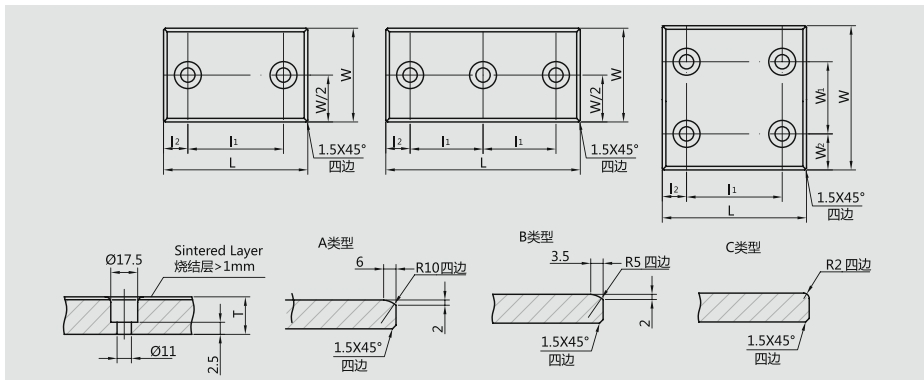




2.4 E-20P20 滑板 E-20P20 Wear Plate (T: 20mm)



请从适用的厚度、宽度、长度中选择零件号 (例) 厚度 20mm、宽度 28mm、长度 75mm 的情况下

Ordering Code(example) **E-20P20-2875**

宽度 Width		长度 Length		厚度 Thickness		Mounting holes Pitch						Number of Screw holes	Chamfered shape	型号 Parts No.
W	Tol.	L	Tol.	T	Tol.	W1	Tol.	W2	L1	Tol.	L2			
28	^{-0.1} / _{-0.3}	75	^{-0.1} / _{-0.3}	20	± 0.01	-	-	-	45	± 0.2	15	2	C	E-20P20-2875
28	"	100	"	20	"	-	-	-	50	"	25	"	"	E-20P20-28100
28	"	150	"	20	"	-	-	-	100	"	25	"	"	E-20P20-28150
38	"	75	"	20	"	-	-	-	45	"	15	"	"	E-20P20-3875
38	"	100	"	20	"	-	-	-	50	"	25	"	"	E-20P20-38100
38	"	150	"	20	"	-	-	-	100	"	25	"	"	E-20P20-38150
48	"	75	"	20	"	-	-	-	45	"	15	"	B	E-20P20-4875
48	"	100	"	20	"	-	-	-	50	"	25	"	"	E-20P20-48100
48	"	125	"	20	"	-	-	-	100	"	25	"	"	E-20P20-48125
48	"	150	"	20	"	-	-	-	100	"	25	"	"	E-20P20-48150
48	"	200	"	20	"	-	-	-	100	"	50	"	"	E-20P20-48200
48	"	250	"	20	"	-	-	-	45	"	25	3	"	E-20P20-48250
58	"	75	"	20	"	-	-	-	50	"	15	2	"	E-20P205875
58	"	100	"	20	"	-	-	-	75	"	25	"	"	E-20P20-58100
58	"	150	"	20	"	-	-	-	100	"	25	"	"	E-20P20-58150
75	"	75	"	20	"	-	-	-	25	"	25	"	A	E-20P20-7575B
75	"	100	"	20	"	-	-	-	50	"	25	"	"	E-20P20-75100B
75	"	125	"	20	"	-	-	-	75	"	25	"	"	E-20P20-75125
75	"	150	"	20	"	-	-	-	100	"	25	"	"	E-20P20-75150
75	"	200	"	20	"	-	-	-	150	"	25	"	"	E-20P20-75200
75	"	250	"	20	"	-	-	-	100	"	25	3	"	E-20P20-75250
75	"	300	"	20	"	-	-	-	100	"	50	"	"	E-20P20-75300
100	"	100	"	20	"	50	± 0.2	25	50	"	25	4	"	E-20P20-100100
100	"	125	"	20	"	"	"	"	75	"	25	"	"	E-20P20-100125
100	"	150	"	20	"	"	"	"	100	"	25	"	"	E-20P20-100150
100	"	200	"	20	"	"	"	"	150	"	25	"	"	E-20P20-100200
100	"	250	"	20	"	"	"	"	200	"	25	"	"	E-20P20-100250
100	"	300	"	20	"	"	"	"	200	"	50	"	"	E-20P20-100300
125	"	125	"	20	"	"	"	37.5	75	"	25	"	"	E-20P20-125125
125	"	150	"	20	"	"	"	"	100	"	25	"	"	E-20P20-125150
125	"	200	"	20	"	"	"	"	150	"	25	"	"	E-20P20-125200
125	"	250	"	20	"	"	"	"	200	"	25	"	"	E-20P20-125250
125	"	300	"	20	"	"	"	"	200	"	50	"	"	E-20P20-125300
150	"	150	"	20	"	100	"	25	100	"	25	"	"	E-20P20-150150
150	"	200	"	20	"	"	"	"	150	"	25	"	"	E-20P20-150200
150	"	250	"	20	"	"	"	"	200	"	25	"	"	E-20P20-150250